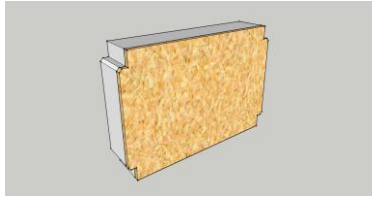


I CHOICE[®] PRODUCTS
Product Bulletin

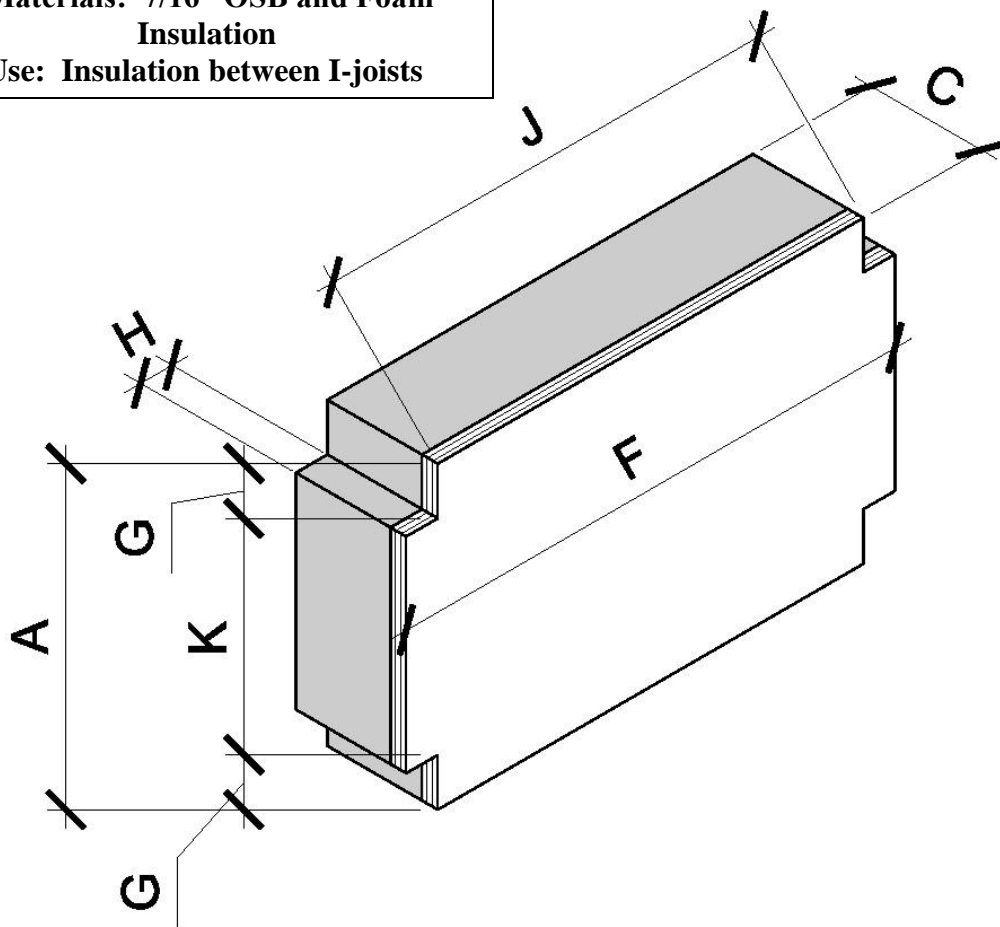


Rim Insulation
US Patent No. 7,827,763

- Description:** A combination of structural wood and high performance foam insulation materials that are pre-machined, shaped and laminated into a single easy to use panel for quick installation between the ends of wood I-joists.
- Dimensions:** **Rim Insulation** (RI) is available in 9 1/2”, 11 7/8”, 14” and 16” depths with OC spacing of 16”, 19.2” and 24”, with corner cutouts accommodating I-joist flange widths from 1-3/4” to 2-1/2”, and flange depths from 1-1/8” to 1-1/2”.
- Functions:** **Rim Insulation** (RI) is a pre-sized and ready to use non-structural component for use as perimeter floor insulation specifically designed for use between specific wood I-joists. The form fitting design allows for quick and easy installation in time sequence with the rim board and wood I-joists without the need for crawl space entry to install later. The precision sizing permits modularity for I-joist OC spacing.
- Types:** The **Rim Insulation** (RI) is shaped to fit between the ends of specific wood I-joists for use as an energy saving insulation component. All RI’s are rated at R-13 when installed per instructions in the total assembly.
- Load:** Non-structural load bearing component.
- Conformance:** The structural component of the RI is 7/16” OSB certified, graded and stamped by a third party agency with foam insulation laminated to one side providing an estimated installed performance rating of R-13.
- System Test:** The R-factor conforms to the sum total of individual products installed on the structure per job specifications.
- Attributes:**
1. **Provides quick and efficient installation of perimeter floor insulation.**
 2. **Improves assembly performance with High Load installations.**
 3. **Allows for modular positioning of I-joists.**
 4. **Eliminates need to access crawlspace to insulate floor perimeter of rim.**
 5. **Improved fit and dampness resistance can reduce future callbacks.**
 6. **Provides additional resistance to rollover for I-joists**
 7. **Eliminates poorly fitting batt-type insulation between wood I-joists.**
 8. **Brand recognition onsite creates higher level of code compliance.**

“Products Providing Distinct Advantage”

I CHOICE[®] Rim Insulation
Materials: 7/16" OSB and Foam
Insulation
Use: Insulation between I-joists



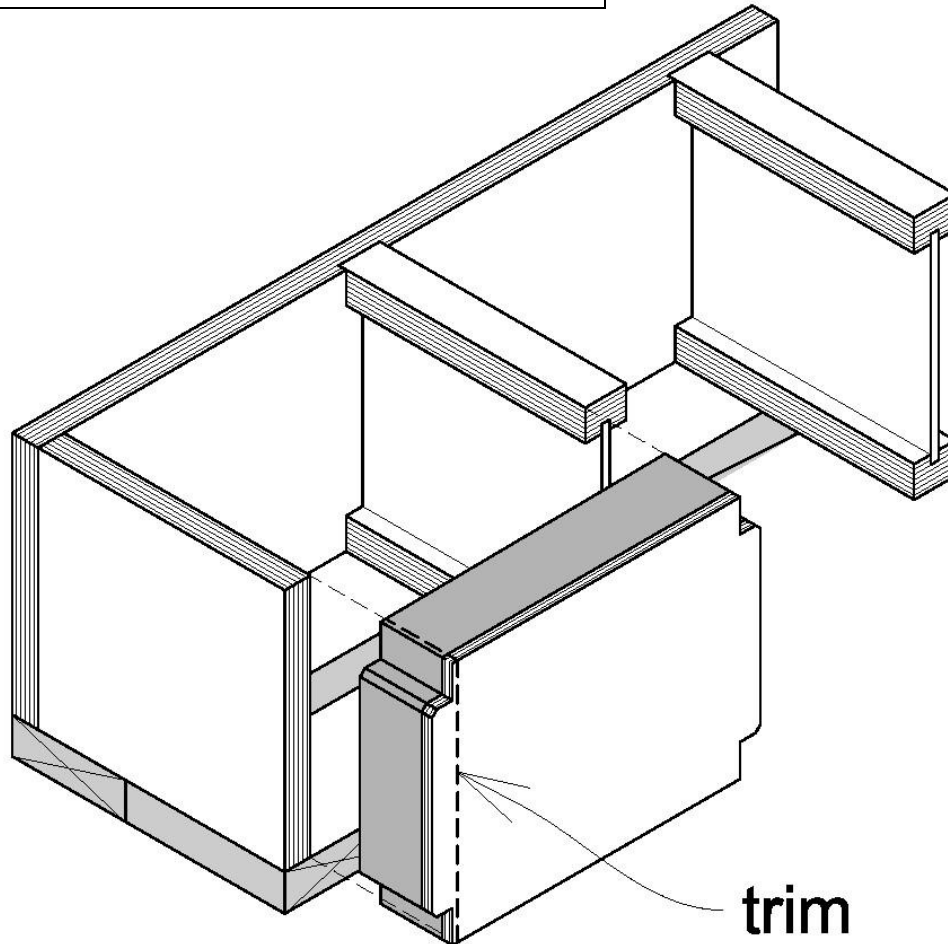
Drawing:

Rim Insulation is designed for use between wood I-joists on new residential, commercial and industrial building projects. Also, **Rim Insulation** can be cut-to-length on-site and retrofitted on many existing structures to reduce energy loss and replace damaged blanket insulation. The OSB shield and foam insulation helps provides protection against moisture absorption, mold and mildew onto critical perimeter structure components.

I CHOICE® Products Shown:

Rim Board

Rim Insulation

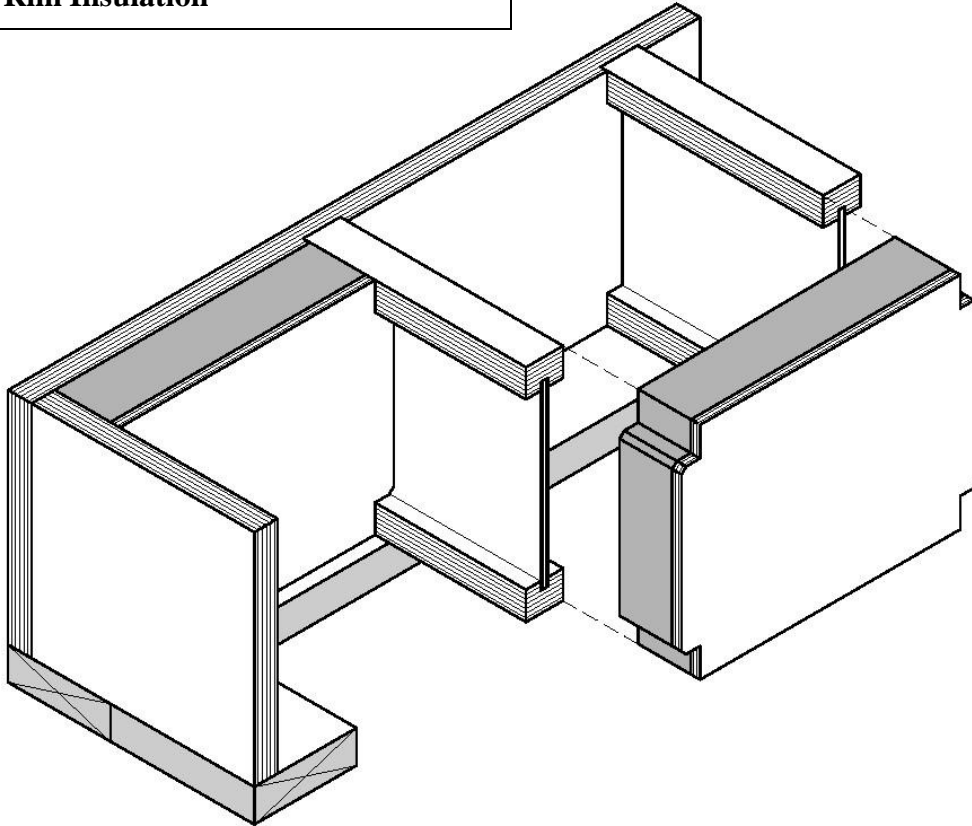


Drawing:

The drawing shows the starting panel being sized to fit between the horizontal **Rim Board** and the first I-joist. Please note the shape that is specified with the I-joist dimensions and spacing.

The installation of the **Rim Insulation** is done at the same time of the I-joists. This eliminates crawl space entry and expensive installation.

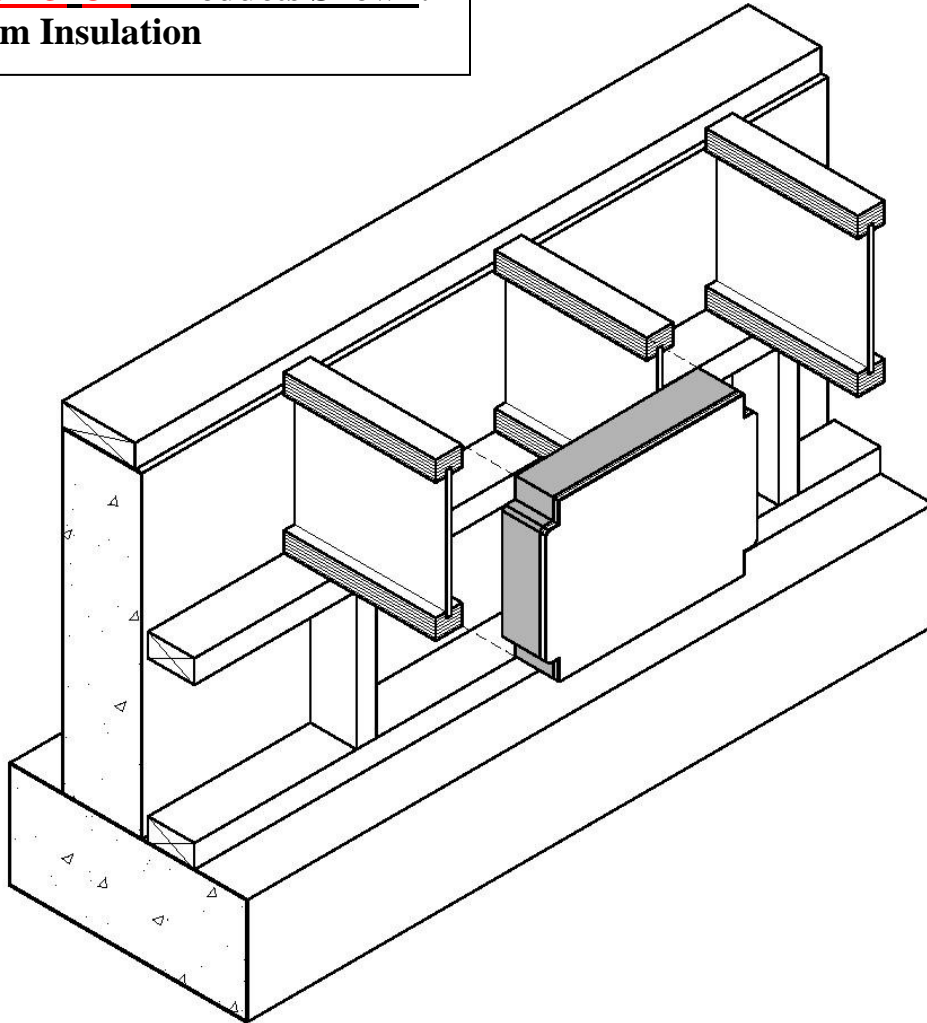
I CHOICE® Products Shown:
Rim Board
Rim Insulation



Drawing:

Drawing shows the first full **Rim Insulation** being installed with an optimum fit between I-joists. No more call backs to re-install other types of insulation that has fallen down.

I CHOICE® Products Shown:
Rim Insulation



Drawing:

This drawing shows the installation of the **Rim Insulation** on the inside foundation wall between the wood I-joists to create a lower profile structure, provide excellent insulation and lower energy costs and help reduce moisture infiltration through the concrete wall into the crawl space.